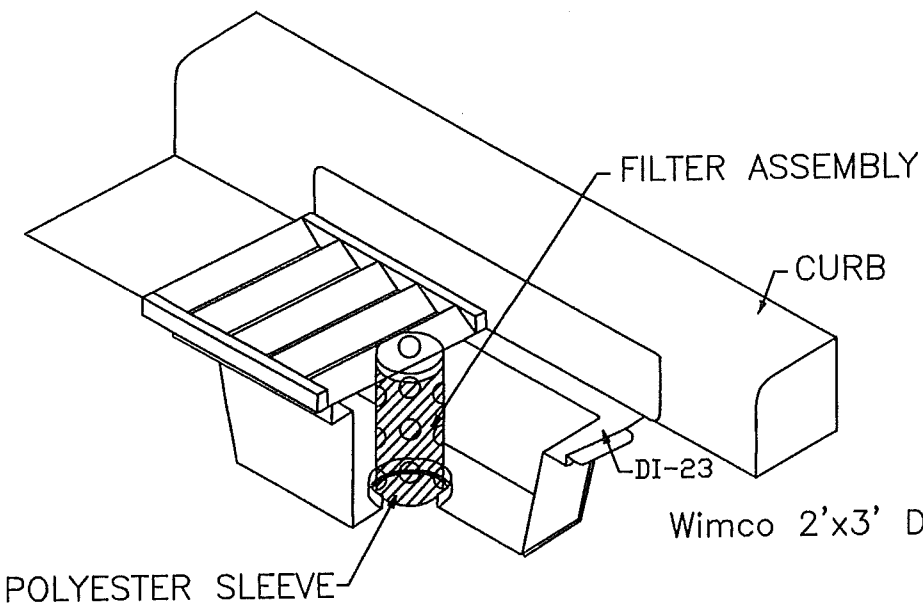
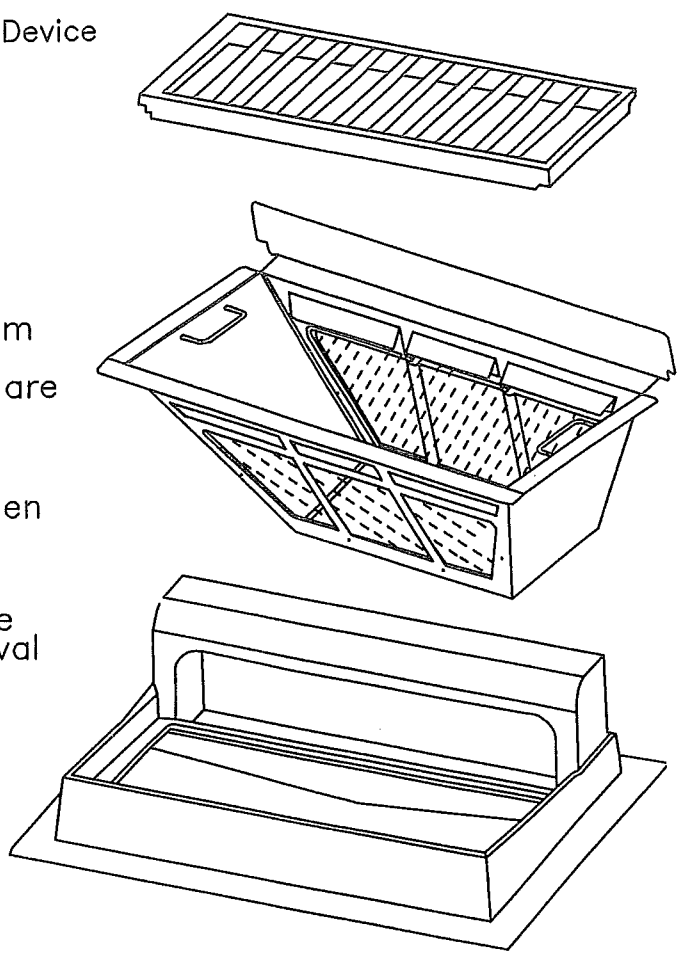


Lange Industries 2'x3' Debris Collection Device
 Model SC1735-S1

Each storm water inlet requires an approved inlet protection device from the time the casting and rings are placed until the surrounding areas are established or until directed by the City Engineer.

These devices shall be removed when there is frost in the ground and reinstalled when the ground thaws.

The developer is responsible for the placement, maintenance, and removal of all inlet protection devices.



Wimco 2'x3' Debris Collection Device



STANDARD DETAILS
 INLET PROTECTION DEVICES

FARMINGTON, MINNESOTA

Last Revision:
 Feb 2007

City Plate No.
 ERO-12