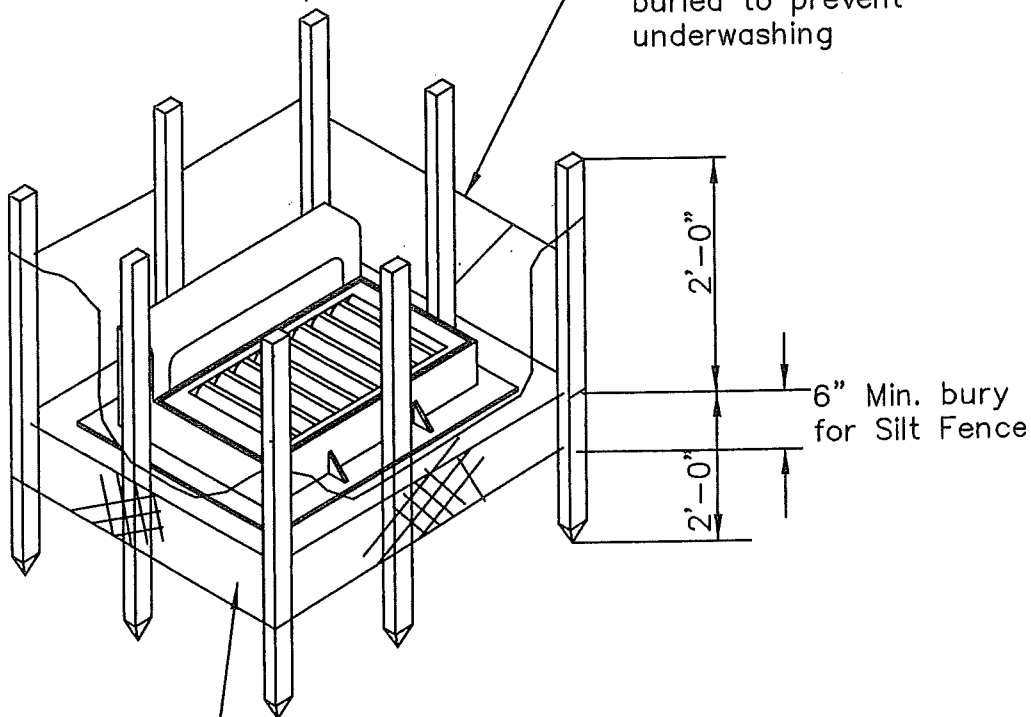


2" X 4" X 4' long Wood Posts, 8 required

Silt (Geotextile) Fence, as specified. Bottom 6" of Fabric to be buried to prevent underwashing



3/4" washed river rock  
1' deep X 1' wide around  
outside perimeter of Silt Fencing.

NOTES:

Contractor to set posts and fabric around the basin during the backfilling operation. Size and shape of the barrier shall be modified to fit structure. Silt fence to be placed around entire perimeter. Top of silt fence to have 12" minimum clearance to existing grade.



STANDARD DETAILS  
EROSION CONTROL AROUND CATCH BASIN

FARMINGTON, MINNESOTA

Last Revision:  
May 2000

City Plate No.

ERO-04